

**CHASE
Associates**

Quick-Opening Manway

for Polyethylene, Fiberglass and Glass Lined Tanks



Product No. CM-2P

Description

Chase Associates Quick-Opening Manways open into the vessel and seal an ASME flanged and dished head against a liquid-tight replaceable gasket. The handwheel release operates only when the tank is empty and provides access in seconds without unbolting or use of tools. Conforms with OSHA Permit Required Confined Space rules. Installation typically completed in 3 hours. Locking Security Covers available.

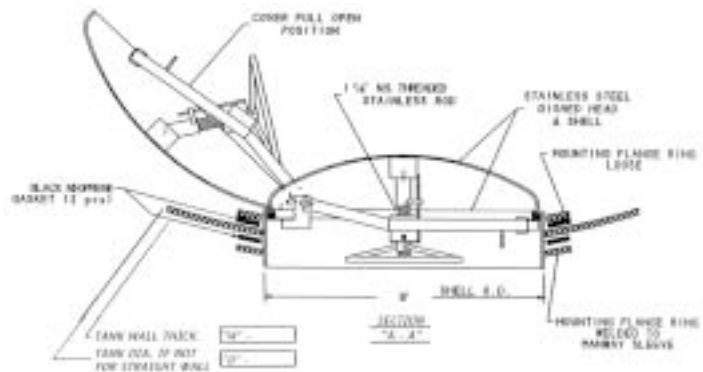
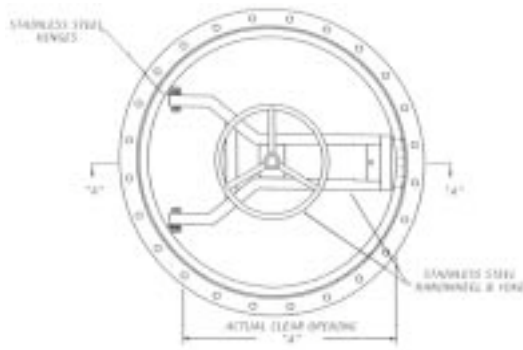
Typical Applications

Access into polyethylene, polypropylene and fiberglass storage and processing tanks. Wastewater Treatment Plants, Liquid Storage Tanks, Secondary Containment Vessels, Water Storage Tanks, and other chemical resistant tanks. Install in new construction or existing structures. Replace or convert older bolted cover manways to provide access in seconds versus hours.



PO Box 75 • Edgecomb, Maine 04556 • Telephone 207-882-7526 • Fax 207-882-6392

Product No. CM-2P



Sizes & Pressure Ratings				Construction Materials		Gasket Materials	
Size	Shell OD	Static HD	Max PSI	Stainless Steel	• 304L	• EPDM	• Viton
20"	25"	195'	84		• 316L	• BUNA-N	• Chemigum
24"	31"	152'	66		• 317L	• Neoprene	• FDA approved materials
30"	37"	122'	53	6% Moly Alloys	• 25-6MO	Other materials available	
36"	43"	101'	44		• AL-6XN		
42"	49"	83'	36		• 254SMO		
48"	55"	65'	28	Carbon Steel	• A36	Optional Equipment	
54"	61"	52'	23		• A516 Gr. 70		
Material SA-240 T316L Stainless Steel Design Temperature of 100F ASME Code Section 8 Division 1 Calculations				Ask about other materials		<ul style="list-style-type: none"> • Sightglasses & Lights • Custom Fittings for special applications 	

CHASE ASSOCIATES, Inc.
Providing access products and technology since 1979



1-888-626-9297 • www.manways.com • email:info@manways.com