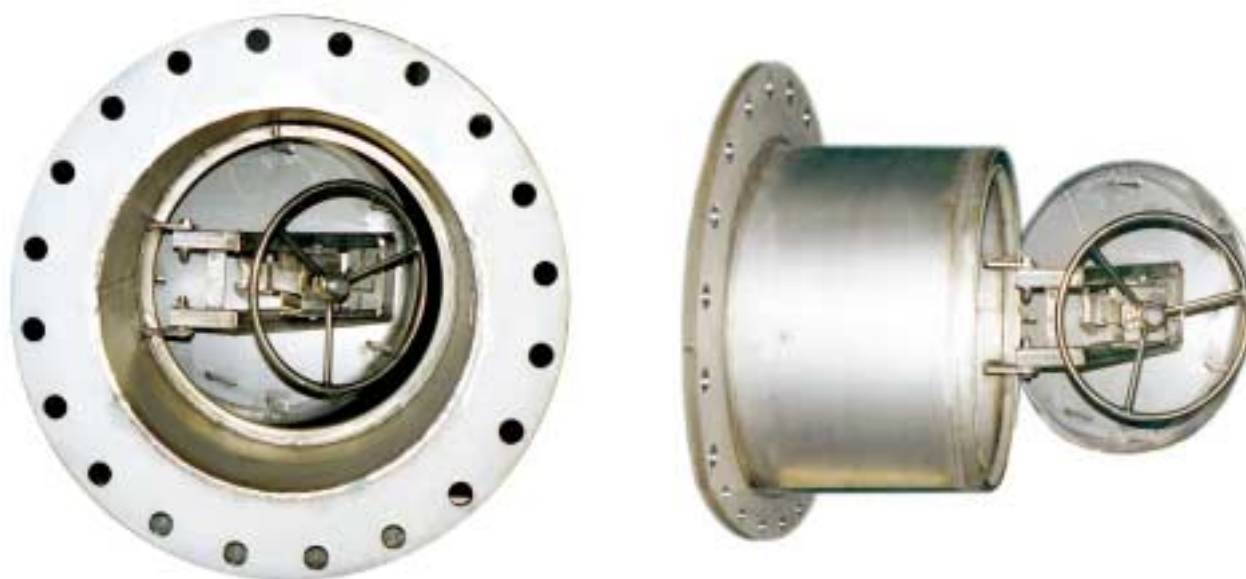


**CHASE
Associates**

Quick-Opening Manway

Conversion from Bolted Cover to Quick-Opening Access



Product No. CM-3

Description

Chase Associates Quick-Opening Convertible Manway allows quick access through any existing bolted cover manway or large nozzle presently installed in a steel tank or concrete wall. Model CM-3 bolts up to all standard 24", 30" or 36" backup flanges, replacing the heavy blind flange cover and providing our original Quick-Opening access design for the remaining life of the tank. The handwheel release operates only when the tank is empty and provides access in seconds without unbolting or use of tools. Conforms with OSHA Permit Required Confined Space Rules.

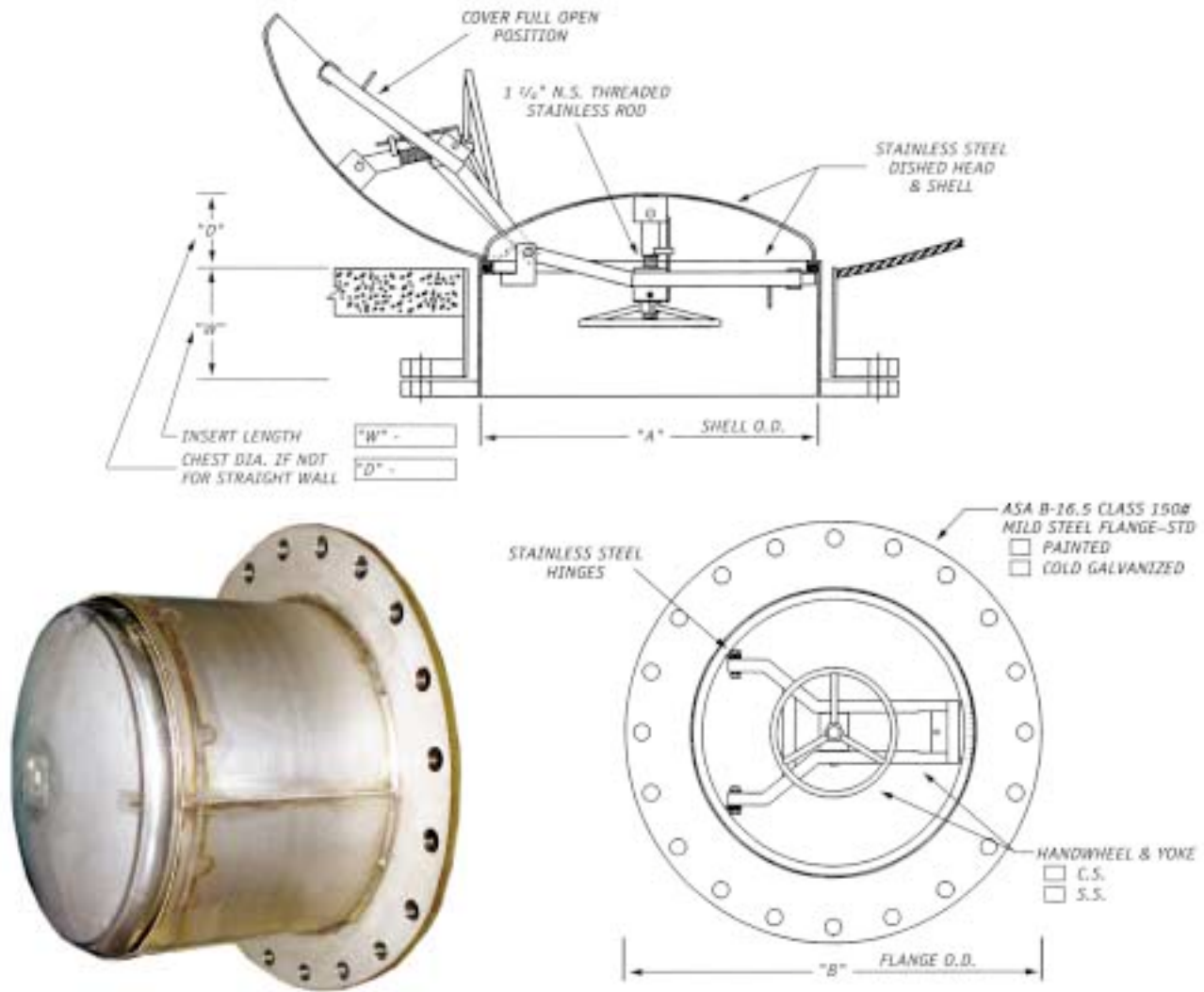
Typical Applications

Access into Concrete Chests, Stainless and Carbon Steel Tanks. Pulp and Papermaking, Wastewater Treatment Plants, Municipal Water Storage and Processing Tanks, Agricultural Storage Silos and other Constructed Tanks. Standard Sizes are designed for ID or IPS Pipe from Sched 5 to Sched 80.



PO Box 75 • Edgecomb, Maine 04556 • Telephone 207-882-7526 • Fax 207-882-6392

Product No. CM-3



Sizes & Pressure Ratings*			Construction Materials	Gasket Materials
Size	Standard Flange	Heavy Flange	Stainless Steel <ul style="list-style-type: none"> • 304L • 316L • 317L 	<ul style="list-style-type: none"> • EPDM • BUNA-N • Neoprene • Hypalon • Viton • Chemigum • FDA approved materials Other materials available
24"	75'	195'	6% Moly Alloys <ul style="list-style-type: none"> • 25-6MO • AL-6XN • 254SMO 	Optional Equipment
30"	65'	152'		<ul style="list-style-type: none"> • Sightglasses & Lights • Stainless Steel Flange • Custom Fittings for special applications
36"	45'	122'		
*Static Head @ 1.0 Specific Gravity Material SA-240 T316L Stainless Steel 1/4" Design Temperature of 100F ASME Code Section 8 Division 1 Calculations			Carbon Steel <ul style="list-style-type: none"> • A36 • A516 Gr. 70 Ask about other materials	

CHASE ASSOCIATES, Inc.
 Providing access products and technology since 1979



1-888-626-9297 • www.manways.com • email:info@manways.com