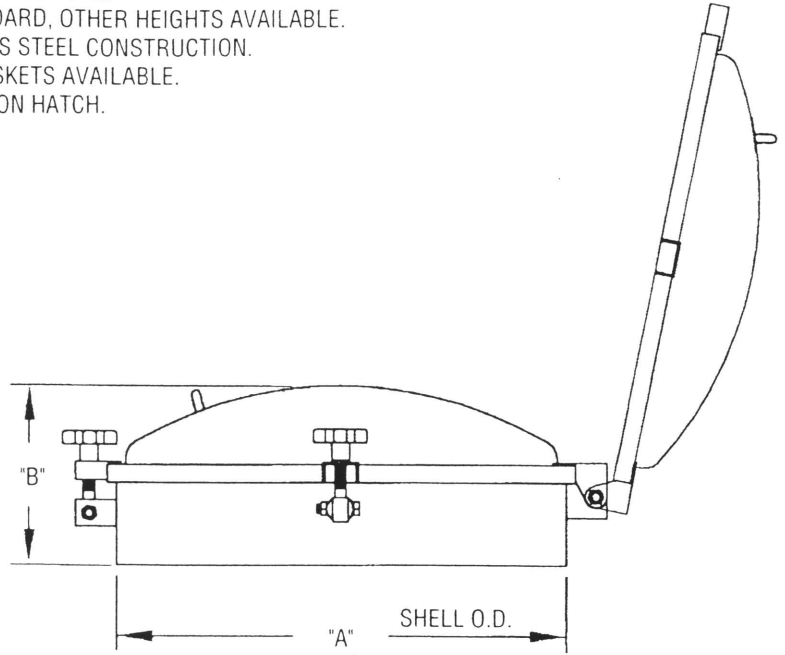
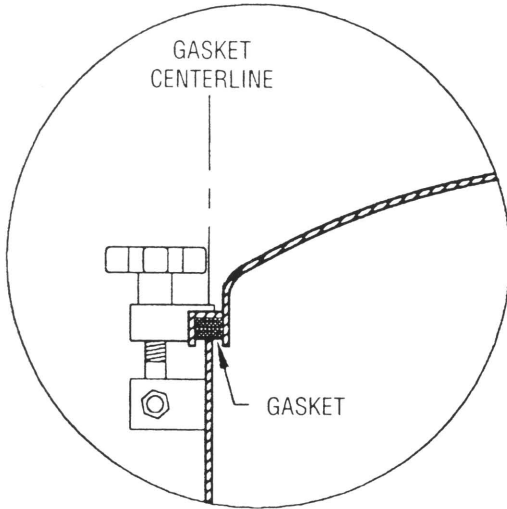


**FEATURES**

- TOGGLE CLAMPS PROVIDES TIGHT, SECURE CLOSURE.
- LOW PROFILE 5" HIGH WELD RING IS STANDARD, OTHER HEIGHTS AVAILABLE.
- AVAILABLE IN CARBON STEEL OR STAINLESS STEEL CONSTRUCTION.
- EPDM, NEOPRENE, BUNA-N AND OTHER GASKETS AVAILABLE.
- USE AS MANWAY, CLEAN OUT OR INSPECTION HATCH.

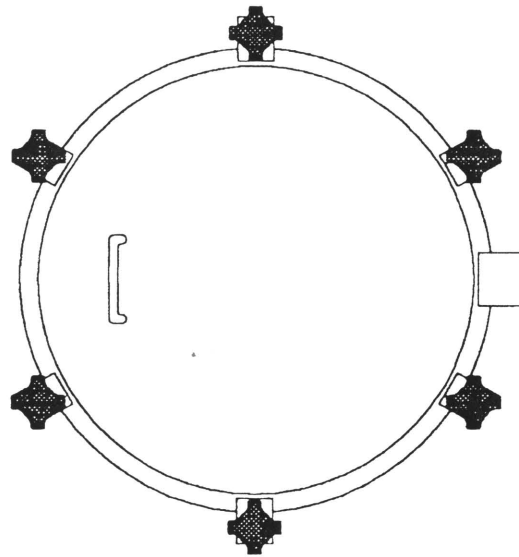
**GASKET DETAIL**



CHECK SIZE DESIRED			
(✓)	SIZE	"A"	"B"
	12"	13"	8"
	14"	15"	9"
	16"	17"	9"
	18"	19"	9"
	20"	21"	10"
	24"	25"	10"
	30"	31"	11"
	36"	37"	13"

(✓) CHECK MATERIAL TYPE			
	304L		6% MOLY
	316L		C.S.
	317L		OTHER

# OF TOGGLES:
GASKET MATERIAL:
PRESSURE RATING:
CERTIFIED BY:
DATE:



REMARKS:

<b>CUSTOMER:</b>	
C.A.I. S.O. #	REV. DATE
PRODUCT NO. <b>CM-12</b>	

**QUICK-OPENING  
OUT-SWING MANWAY**

**CHASE ASSOCIATES**  
P.O. BOX 75  
EDGEComb, MAINE 04556  
TEL 207-882-7526 • FAX 207-882-6392  
www.manways.com