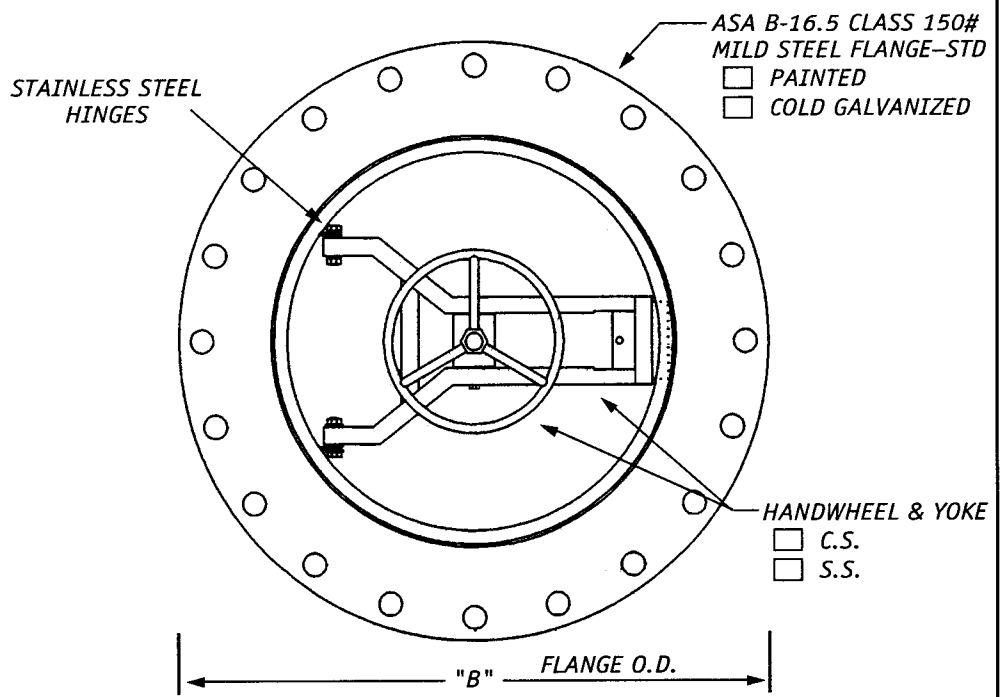


STANDARD SIZES AVAILABLE FOR
24", 30" & 36" ID & IPS PIPE
SCHD 10 - SCHD 80 WALL

CHECK SIZE DESIRED			
(✓)	SIZE	A"	B"
	24"	22"	32"
	30"	28"	38.75"
	36"	34"	46"

✓) CHECK MATERIAL TYPE		
	304L	6%MOLOY
	316L	C.S.
	317L	OTHER

GASKET
MATERIAL: _____
PRESSURE
RATING: _____
CERTIFIED
BY: _____
DATE: _____



REMARKS: _____

CUSTOMER: _____

C.A.I. S.O. #	REV. DATE
PRODUCT NO. CM-3	

**QUICK-OPENING,
HIDDEN-HINGED MANWAY**

CHASE ASSOCIATES
P.O. BOX 75
EDGECOMB, MAINE 04556
TEL 207-882-7526
FAX 207-882-6392