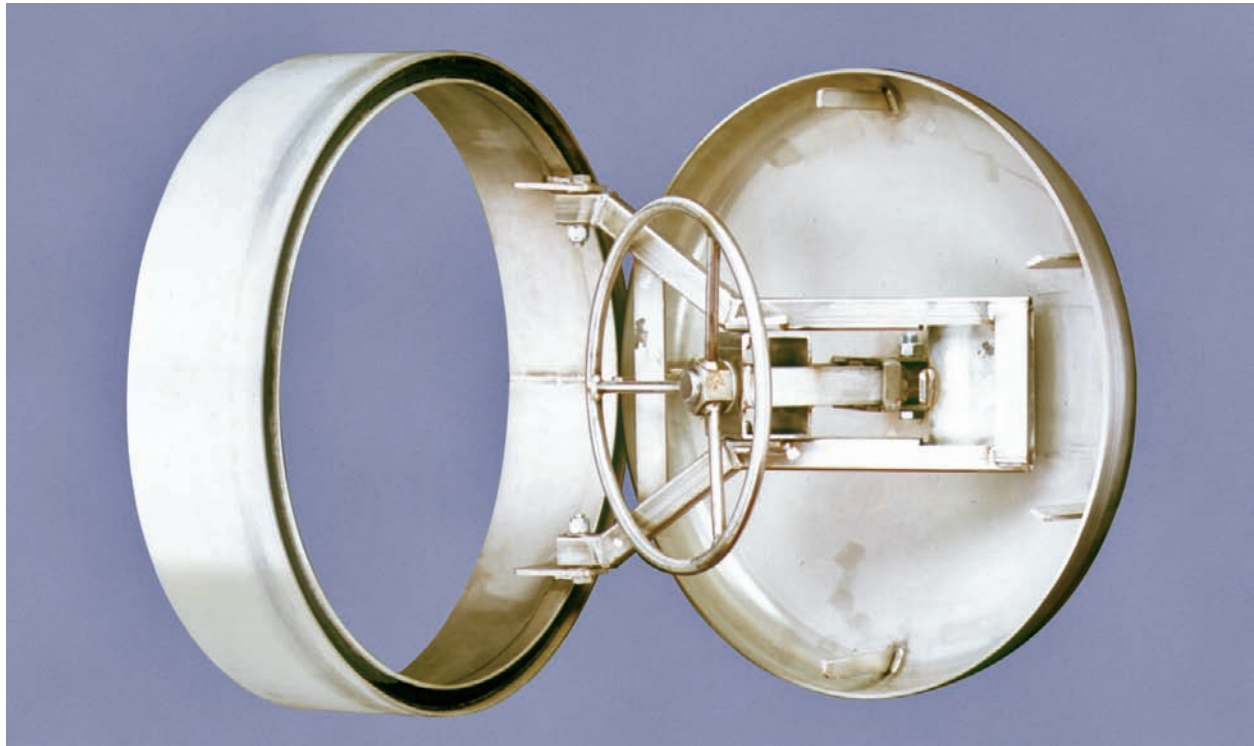


Quick-Opening Manway

for Steel Tank Installation



Product No. CM-2

Description

Chase Associates Quick-Opening Manways open into the vessel and seal an ASME flanged and dished head against a liquid-tight, replaceable gasket. The handwheel release operates only when the tank is empty and provides access in seconds without unbolting or use of tools. Conforms with OSHA Permit Required Confined Space Rules.

Typical Applications

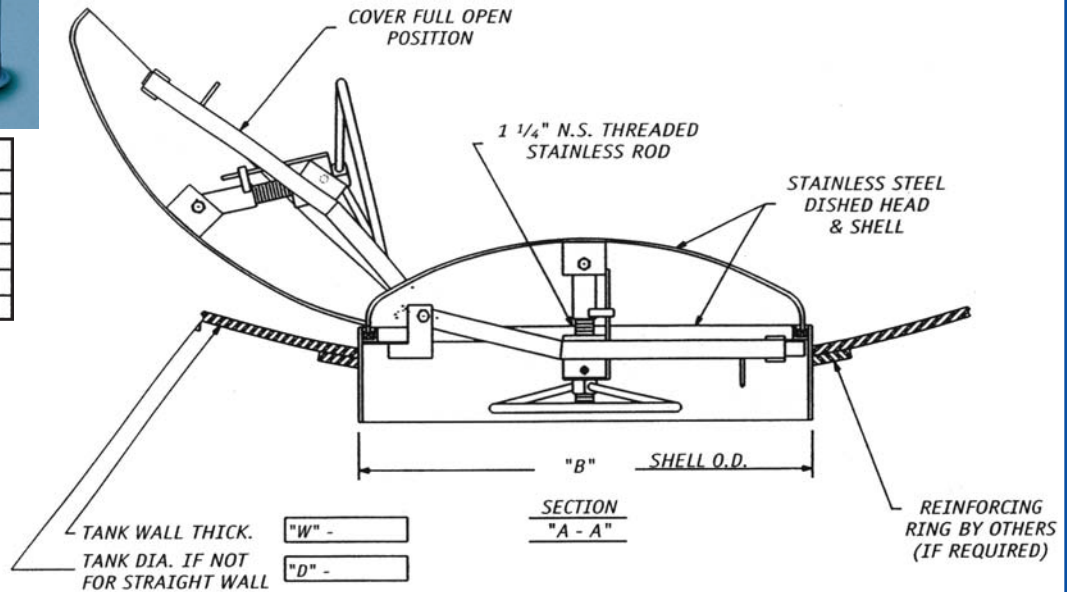
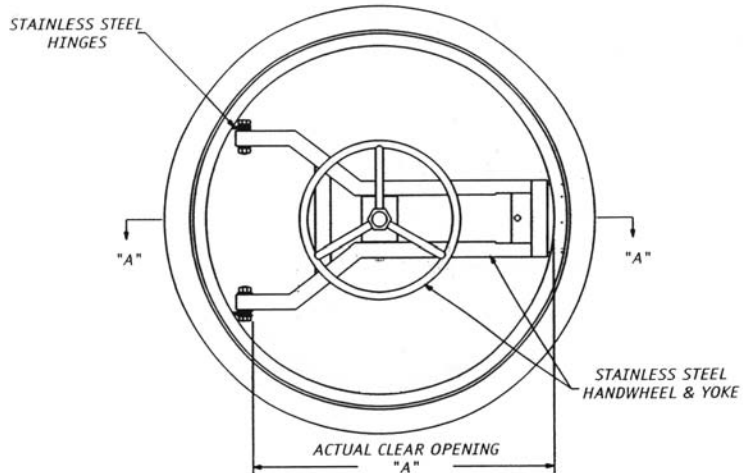
Pulp and Papermaking, Wastewater Treatment Plants, Municipal Water Storage Tanks, Storage & Processing Tanks, Agricultural Storage Silos and other Constructed Tanks. Install in new construction or existing structures. Replace or convert older bolted cover manways to provide access in seconds versus hours.



Product No. CM-2



CHECK SIZE DESIRED			
(✓)	SIZE	"A"	"B"
	20"	20"	25"
	24"	24"	31"
	30"	30"	37"
	36"	36"	43"
	42"	42"	49"



SIZES & PRESSURE RATINGS				MATERIALS of CONSTRUCTION		GASKET MATERIALS	
<u>SIZE</u>	<u>SHELL OD</u>	<u>STATIC HD</u>	<u>PSI</u>	STAINLESS STEEL	• 304L • 316L • 317L	• EPDM	• VITON
20"	25"	195'	84	6% MOLY ALLOYS	• 25-6MO • AL-6XN • 254SMO	• BUNA-N	• CHEMIGUM
24"	31"	152'	66			• NEOPRENE	• FDA approved materials
30"	37"	122'	53	CARBON STEEL	• A36 • A516 Gr. 70	Other materials are available	
36"	43"	101'	44			OPTIONAL EQUIPMENT <ul style="list-style-type: none"> • Sightglasses and Lights • Drilled Mounting Flanges for retro-fit to existing bolted cover manways • Custom Fittings for special applications 	
42"	49"	83'	36				
Material SA-240 T316L Stainless Steel Design Temperature of 100F ASME Code Section 8 Division 1 Calculations				Ask about other materials			

CHASE ASSOCIATES, Inc.
 Providing access products and technology since 1979

