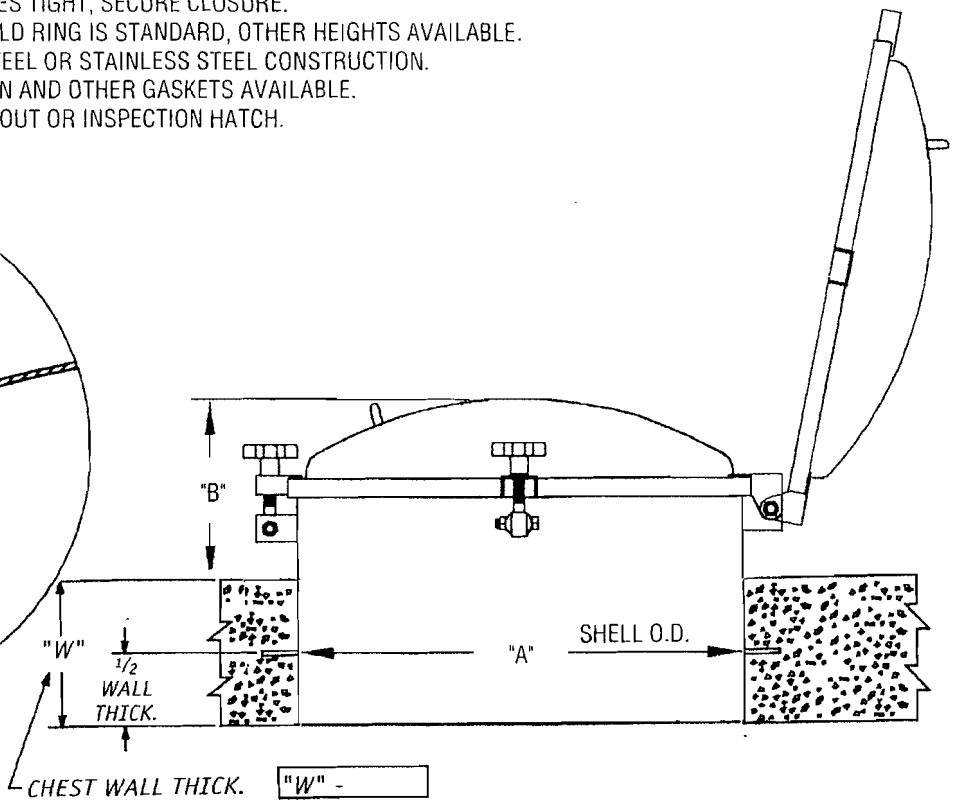
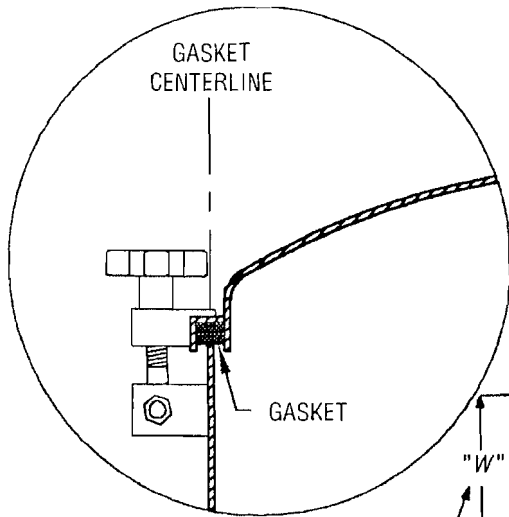


FEATURES

- TOGGLE CLAMPS PROVIDES TIGHT, SECURE CLOSURE.
- LOW PROFILE 5" HIGH WELD RING IS STANDARD, OTHER HEIGHTS AVAILABLE.
- AVAILABLE IN CARBON STEEL OR STAINLESS STEEL CONSTRUCTION.
- EPDM, NEOPRENE, BUNA-N AND OTHER GASKETS AVAILABLE.
- USE AS MANWAY, CLEAN OUT OR INSPECTION HATCH.

GASKET DETAIL



CHECK SIZE DESIRED			
(✓)	SIZE	"A"	"B"
	12"	13"	8"
	14"	15"	9"
	16"	17"	9"
	18"	19"	9"
	20"	21"	10"
	24"	25"	10"
	30"	31"	11"
	36"	37"	13"

(✓) CHECK MATERIAL TYPE			
	304L		6% MOLY
	316L		C.S.
	317L		OTHER

OF TOGGLES: _____

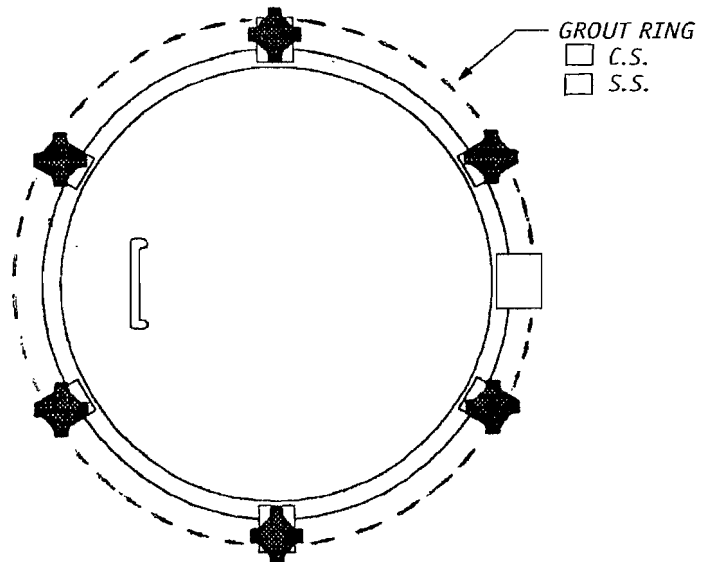
GASKET MATERIAL: _____

PRESSURE RATING: _____

CERTIFIED BY: _____

DATE: _____

CHEST WALL THICK. "W" -



ELEVATION VIEW OUTSIDE CHEST

REMARKS: _____

CUSTOMER:

C.A.I.
S.O. #

REV.
DATE

PRODUCT NO.

CM-12

**QUICK-OPENING
OUT-SWING MANWAY**

CHASE ASSOCIATES

P.O. BOX 75
EDGEComb, MAINE 04556
TEL 207-882-7526 • FAX 207-882-6392
www.manways.com