

STAINLESS STEEL HINGES

CHECK SIZE DESIRED			
(✓)	SIZE	"A"	"B"
	20"	20"	25"
	24"	24"	31"
	30"	30"	37"
	36"	36"	43"
	42"	42"	49"

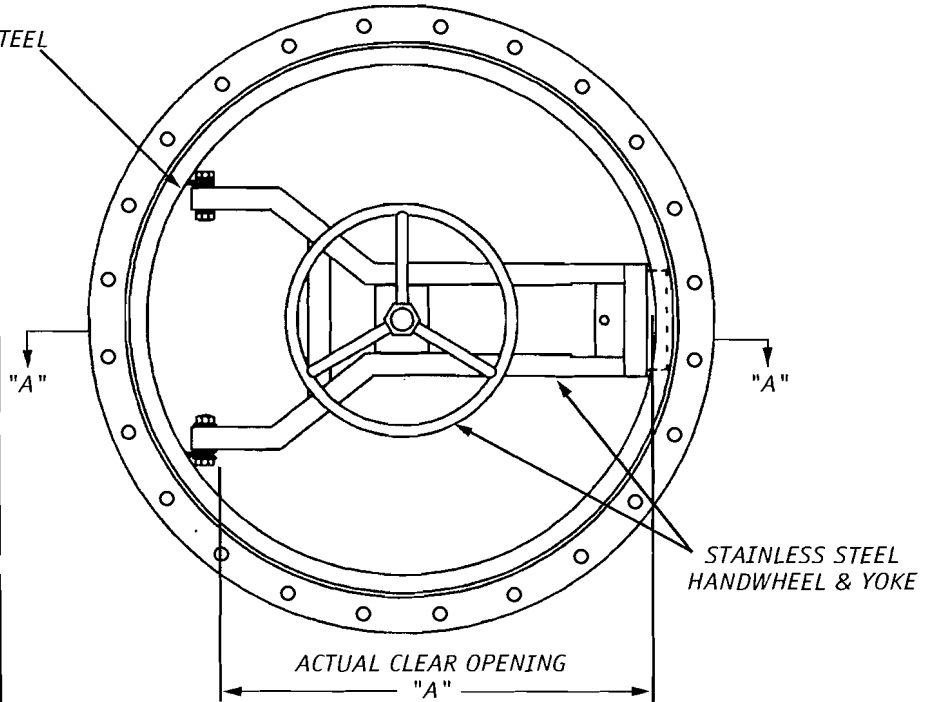
(✓) CHECK MATERIAL TYPE		
	304L	6% MOLY
	316L	C.S.
	317L	OTHER

GASKET MATERIAL:

PRESSURE RATING:

CERTIFIED BY:

DATE:



REMARKS:

CUSTOMER:

C.A.I. S.O. #

REV. DATE

PRODUCT NO. **CM-2P**

POLY TANK INSTALLATION

**QUICK-OPENING,
HIDDEN-HINGED MANWAY**

CHASE ASSOCIATES

P.O. BOX 75
EDGECOMB, MAINE 04556
TEL 207-882-7526 • FAX 207-882-6392
www.manways.com