

Cross-Arm Manway

for Steel or Concrete Tank Construction



Product No. CM-4

Description

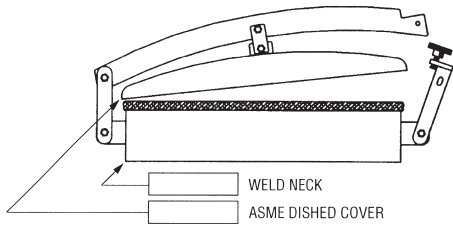
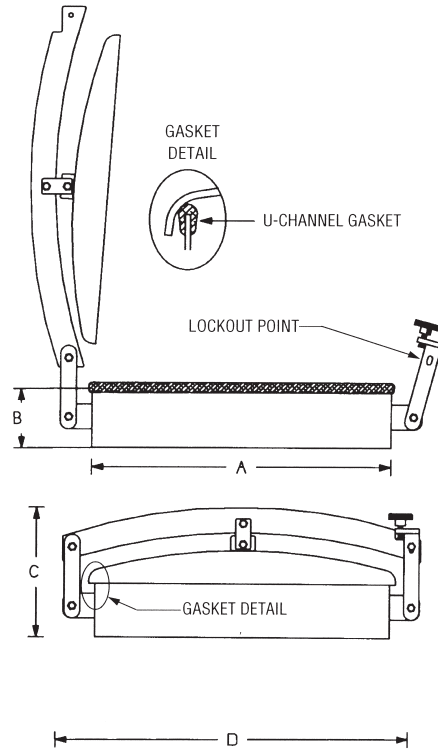
Chase Associates Cross Arm Manways secure an ASME shallow flanged and dished head against a liquid-tight, replaceable gasket with a single quick release toggle. Opens 180 degrees to provide access in seconds without unbolting or the use of tools. Lockout protection point provided. Conforms with OSHA Permit Required Confined Space Rules.

Typical Applications

Economical Clean-Out, Sample Port, Manway or Top Hatch for stainless steel or carbon steel tanks. Install in new construction or existing structures. Models available for grouting into a concrete roof or bolting to standard ANSI Backup Flanges.



Product No. CM-4



SIZE	A SHELL OD	B NECK HGT	C OAH	D OAL
12"	12"	5"	9.00"	18"
16"	16"	5"	9.25"	22"
18"	18"	5"	9.50"	24"
20"	20"	5"	10.25"	26"
24"	24"	5"	10.50"	30"
30"	30"	5"	11.50"	36"
36"	36"	5"	12.00"	42"

SIZES & PRESSURE RATINGS	MATERIALS of CONSTRUCTION	GASKET MATERIALS
10 Ga ASME F&D Cover 10 Ga Weld Neck Single Quick-Release Swing Bolt Atmospheric Pressure 2B Finish Standard 12" - 14" - 16" 18" - 20" - 24" 30" - 36"	STAINLESS STEEL • 304L • 316L • 317L Ask about other materials	U-Channel Extrusion • EPDM • NEOPRENE • BUNA-N • HYPALON • FDA approved materials
		OPTIONAL EQUIPMENT
		• Drilled Mounting Flanges for bolt-up to existing flanged inserts. • Custom Fittings for special applications

CHASE ASSOCIATES, Inc.
 Providing access products and technology since 1979

